

APT Series

Pan and Tilt Mounts

Inertially stabilized

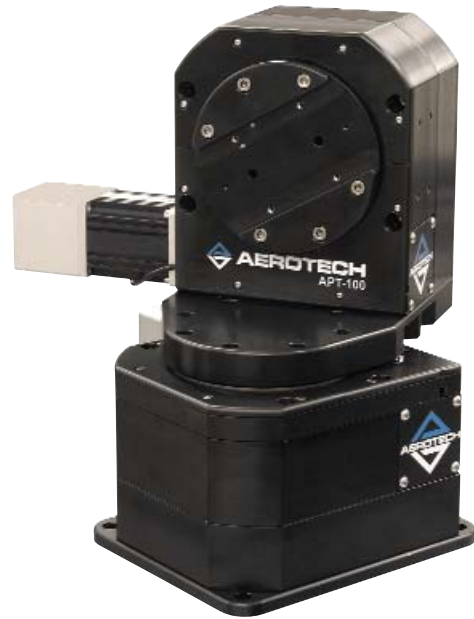
Weather-sealed versions available

Continuous 360° pan rotation including built-in slip ring

High accuracy position and rate capability

Integrated electronics for easy setup and system integration

Low maintenance and high reliability provide the lowest cost of ownership



APT series high-precision pan and tilt mounts are designed for your most demanding positioning requirements. Building on Aerotech's extensive experience in building gimbals, optical mounts, and motion simulators for the military, government agencies, academic institutions, and private industry, the APT series expands our product line to meet the needs of the security, defense, and surveillance markets worldwide.

The APT series combines proven high-precision mechanics with industry-leading control technology in a single, unified package. The drive mechanism includes a unique gear preloading feature that self-adjusts for the effects of wear and temperature variation, resulting in no degradation in

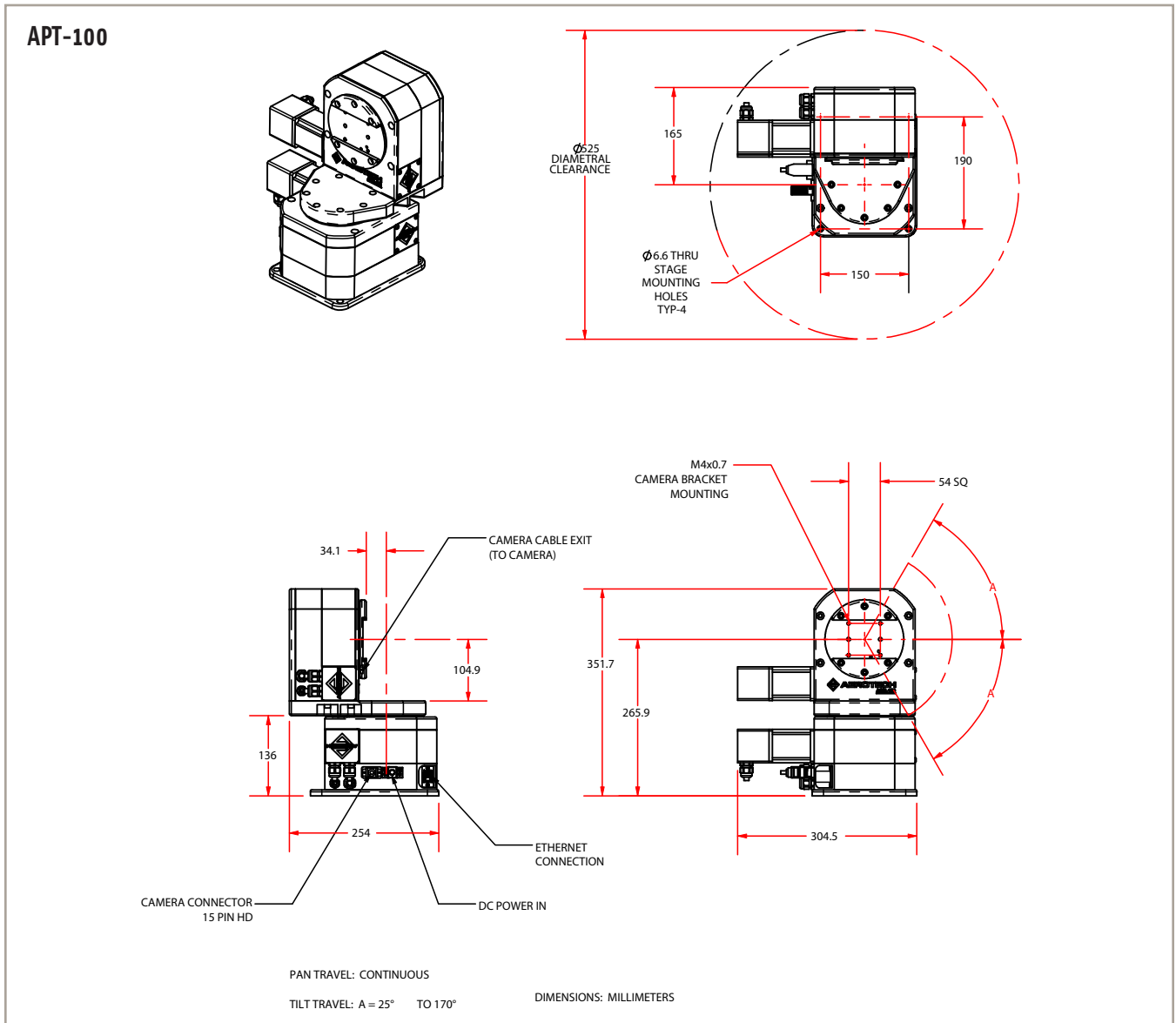
positioning performance over the life of the product. A built-in Ensemble controller responds to motion commands via an ethernet connection, or it can be programmed to operate in a stand-alone configuration.

An integrated slip-ring carries camera connections to the base of the unit. Continuous pan rotation with limited-travel tilt is standard. Options are available to meet a wide range of camera mounting, signal feed-through, and termination requirements. An inertial stabilization option is available that integrates gyroscopes and inertial sensors to actively maintain the line-of-sight when operated on aircraft, ships, and land vehicles.

APT Series SPECIFICATIONS

Base Model	APT-100
Pan Range	Continuous
Pan Speed (max)	180°/s
Tilt Range	±95°
Tilt Speed (max)	180°/s
Payload	35 kg
Weight	17 kg
Position Resolution	7.6 arc sec
Position Repeatability (Uni-Directional)	10 arc sec
Position Repeatability (Bi-Directional)	30 arc sec
Position Accuracy	120 arc sec
Operating Voltage	24-80 VDC
Material	Aluminum
Finish	Black Anodize
Motion Controller	Ensemble MP

APT Series DIMENSIONS



APT Series ORDERING INFORMATION

Ordering Example

APT	(Opt.)/
Model	Assembly Options
APT-100	/IP66

APT Pan and Tilt Mount

APT-100 Pan and tilt mount

Assembly Options

/IP66	IP66 construction for harsh environments
/IS	Inertial stabilization
/SIDE	Side-mounted camera bracket
/TOP	Top-mounted camera bracket